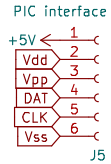
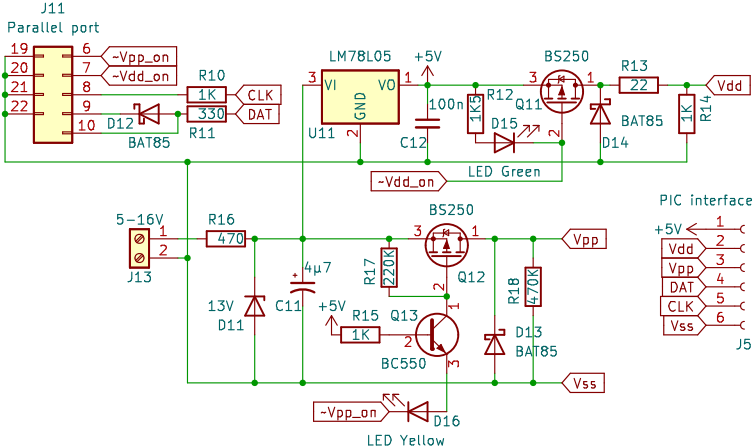
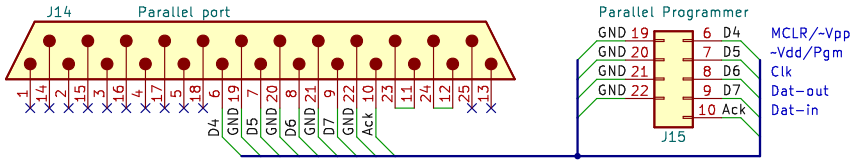
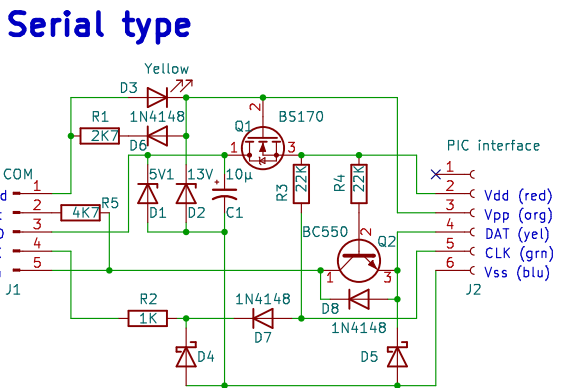
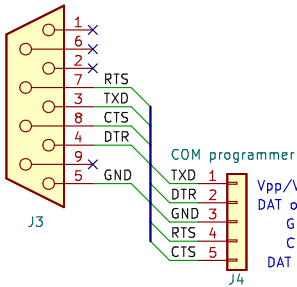


Parallel type



Serial type

Serial port



Parallel: New design, Serial: Based on and compatible with JDM programmer
 Uses enhancement by B.T. Kelly (Vpp before Vdd)
 Faster since no need for JDM charge pump in software
 Added In progress indicator and changed design to reduce excessive currents

Design by A.C.M. Daas

Sheet: /
 File: PICprogr.kicad_sch

Title: Parallel/Serial-port hardware for use with PICPgm software

Size: A5	Date: 2024-04-18	Rev:
KiCad E.D.A. kicad 7.0.11-7.0.11-ubuntu22.04.1		Id: 1/1